



AMORIM

AMORIM FLOORING N.A.



Leadership



Coaching



Team Player



Creativity and Innovation



Initiative and Risk Taking



Result Oriented



Product and Market Knowledge



Develop Partnerships



# INSTALLING FLOATING FLOORS WITH CorkLoc GLUELESS SYSTEM

CORKCOMFORT FLOATING HPS  
WOODCOMFORT FLOATING HPS



Leadership



Coaching



Team Player



Creativity and Innovation



Initiative and Risk Taking



Result Oriented



Product and Market Knowledge



Develop Partnerships

## **GENERAL INFORMATION**

### **Important recommendations to read before any installation !**

Please read these instructions in conjunction with relevant country standards.

Before starting installation you should inspect the material, as well as the subfloor and site conditions, and check if they are in accordance with the specifications. If you are not satisfied do not install.

Amorim cannot be held responsible for claims associated with improper subfloors, improper applications, or the use of any auxiliary products that are not recommended.

### **Transport, Storage and Acclimatization:**

Transport and store the cartons in laying position. Store the planks at room temperature for at least 48 hours, still in their packaging, prior to commencing work.

Do not remove the plastic wrapping from the packaging until ready to install the floor.

The room temperature must be at least 18°C (65°F) before and during installation.



## Radiant-Heated Subfloors ( General principles):

Follow the instructions for the subfloor heating system supplied by the manufacturer/contractor.

For A.R. Floating Floors Corkloc, also note the following: Turn the subfloor heating off for 2 - 3 days so that the floor has room temperature prior to laying. The surface temperature of the subfloor must not exceed 28°C (82°F) and maximum output from the heating cables must not exceed 60 W/m<sup>2</sup>.

## Expansion Gaps:

A.R. Floating Floors Corkloc are installed as a "floating flooring". The flooring should not be fixed to the subfloor, there should be 10 mm expansion gaps to the walls and other fixed objects; floor areas more than 100 m<sup>2</sup> (900 sq. ft) with dimensions greater than 10 m (30 feet) in either length or width, transitions between two rooms and asymmetrical floor areas require extra expansion gaps.



## **REMARKS:**

### **MEASUREMENTS:**

Measure the room accurately, at right angle to the direction of the floorboards. The floorboards in the final row should be at least 5 cm wide. If necessary, the floorboards in the first row can be cut to smaller size.

A.R. Floating Floors Corkloc are a natural products and each individual plank has its own shade and pattern. Therefore, shuffle the planks in order to obtain the most pleasant blend of shades.

Lay A.R. Floating Floors Corkloc planks preferably following the direction of the main source of light.

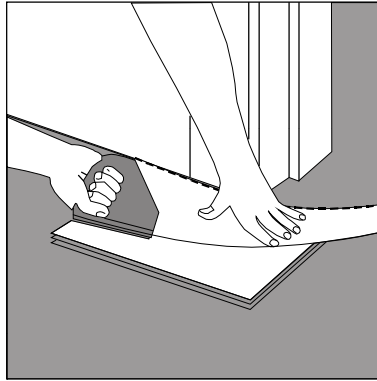
Install the skirting boards and profiles after the floor is layd. These must not be pressed down to or attached to the floor, as this will restrict the movement of the floor

Trim the leftover PE film after skirting boards and profiles are installed

### **Tools Required:**

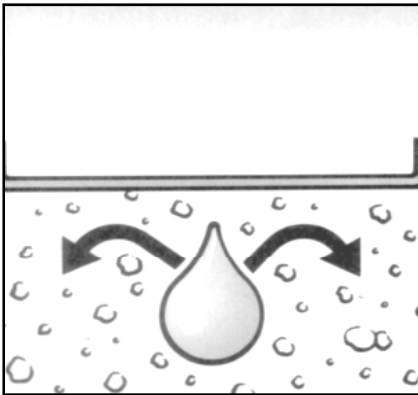
Padsaw or a fine toothed handsaw, spacer blocks, pencil and a set square





### Door Frames:

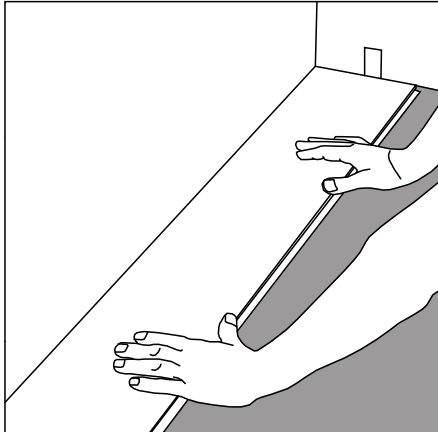
- If a doorframe needs to be cut, use a piece of plank to obtain the correct height.
- Saw door frames and architrave's to required height allowing for 2 mm of space to the planks.



### Moisture Protection

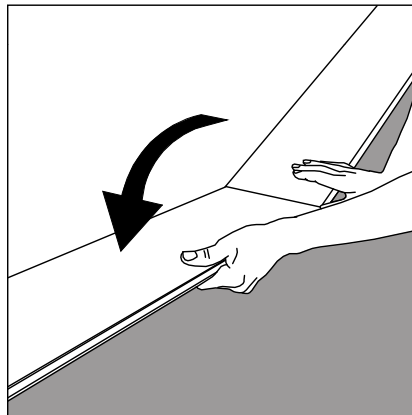
- Form a damp-proof membrane with a layer of PE sheeting
- Lay the PE film allowing for at least 20cm (8") overlapping and tape.
- Turn the film upward 5cm along the walls.
- Trim after the skirting planks are fixed.





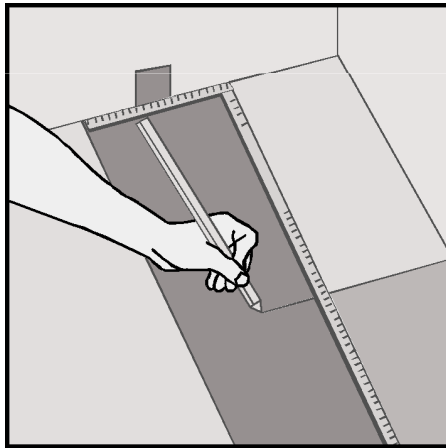
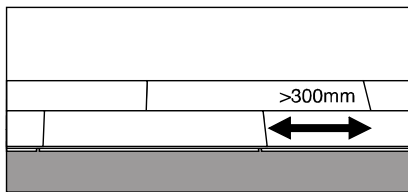
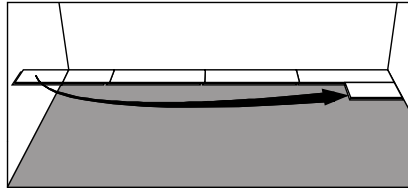
### **First Three Rows:**

- **Start laying in the right-hand corner**
- **Turn the tongue side of the plank facing the wall**
- **Maintain a gap of 10 mm on the short side**
- **Adjust the lengthways gap from the wall once 3 rows of planks have been laid.**



- **Hold the next plank against the first at an angle to the first one and lay it flat on the floor.**
- **Complete the first row in the same way.**

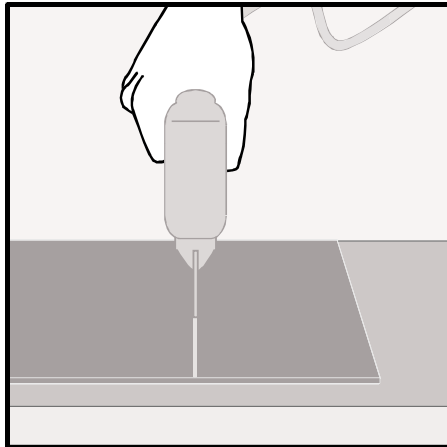




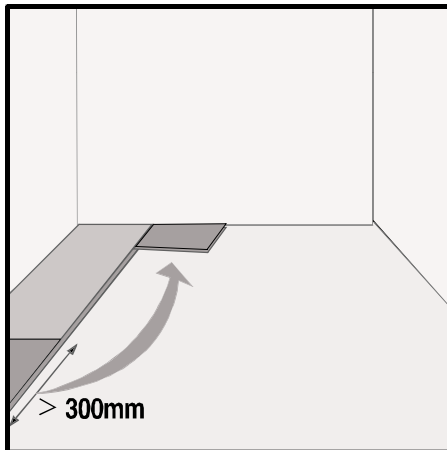
- **Cut the final plank of the first row to the correct length**
- **Start the next row with the piece leftover (must be at least 300 mm long)**
- **Always ensure that the end joints are staggered at least 300 mm.**
- **Place the final plank face down and the short side without the locking strip towards the wall.**
- **The distance to the wall should be 10 mm.**
- **Mark where the floorboard is to be cut.**





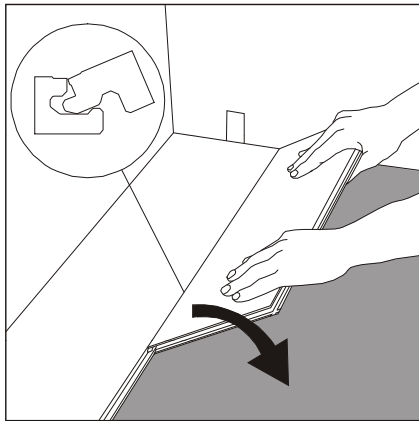


- **Place the plank face down on the work surface and cut to size using a padsaw.**
- **Use a fine-toothed type if you are using a hand saw. In this case, cut the planks face up.**

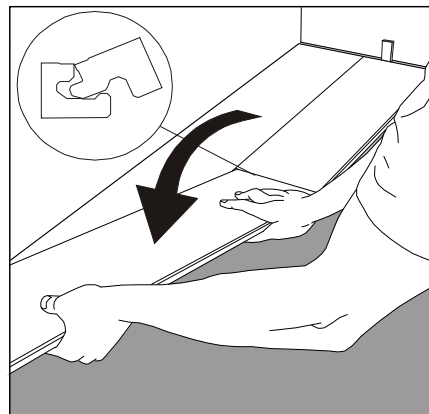


- **Use a cut piece of plank from the previous row to start the next row.**
- **This must be at least 30 cm long. If the piece is too short, start with a new board, cut in half.**
- **Always ensure that the end joints are staggered at least 30 cm.**



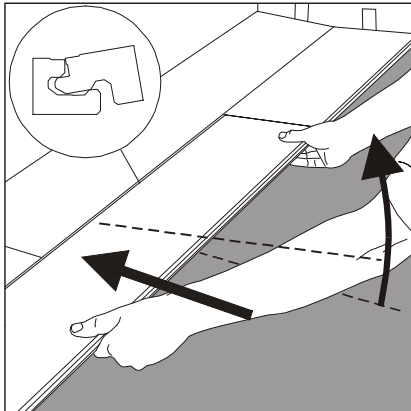


- **Place the first plank of the new row with the tongue side at an angle against the groove side of the plank in the previous row**
- **Press forward and lay it flat at the same time.**

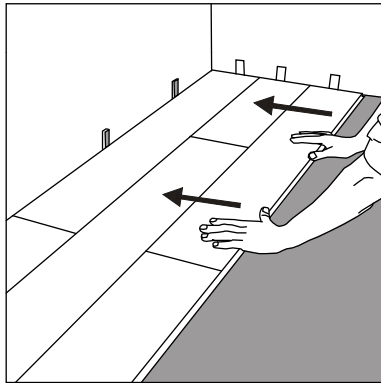


- **Place the short end of the plank at an angle against the previous installed plank and fold down.**
- **Ensure that the board is positioned on the integral locking strip of the floorboard in the previous row.**





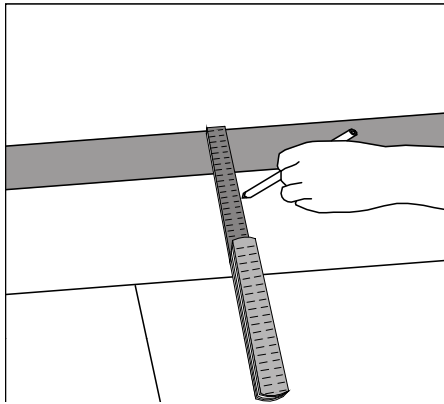
- **Lift floorboard (together with the previous laid in the same row) lightly up (about 30 mm), push it against the row in front and then put it down.**
- **Tip: This movement requires some gentle adjustments on the pressing angle.**



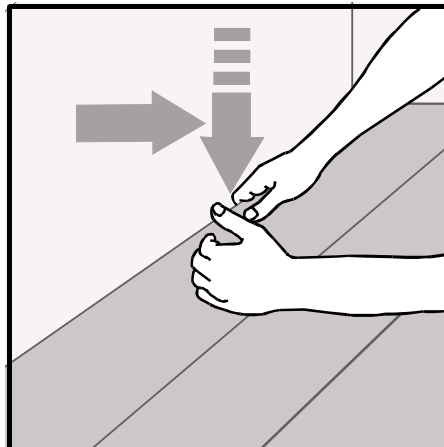
- **Adjust the distance to the wall to 10 mm when three rows are completed**
- **Proceed the installation as described above until reaching the opposite wall**



## Uneven wall:

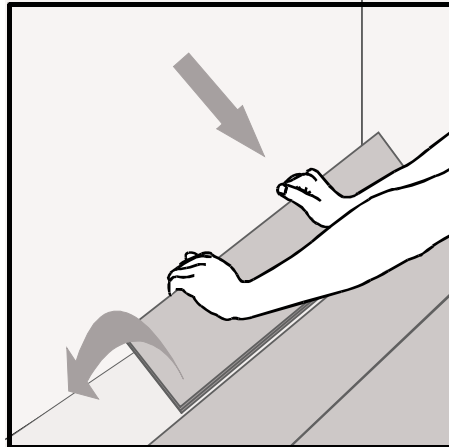


- Sometimes the first row must be cut to match an uneven wall.
- Transfer the shape of the wall to the planks. Do not forget to allow 10 mm for the expansion gap.
- Mark the planks with the contour of the wall. Do not forget to leave 10 mm distance to the wall.

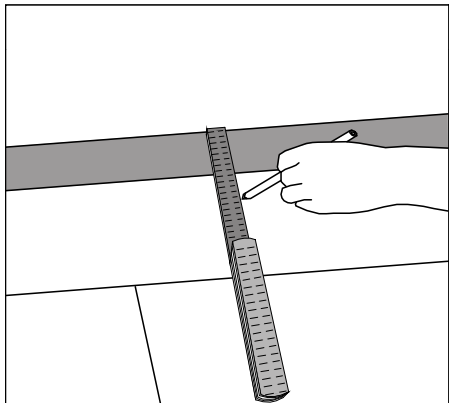


- To remove the first row, lift the plank a few centimetres and tap along the joint.
- Cut the planks as required.





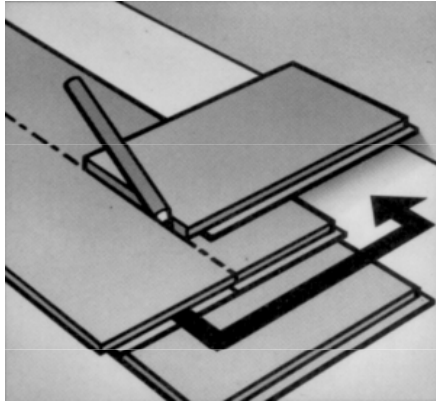
- **Re-lay the first row from right to left.**
- **Fit the first plank to the edge of the planks that are already in position.**
- **Follow the same fitting technique described above.**
- **Note that you are now fitting groove to tongue and not the opposite.**



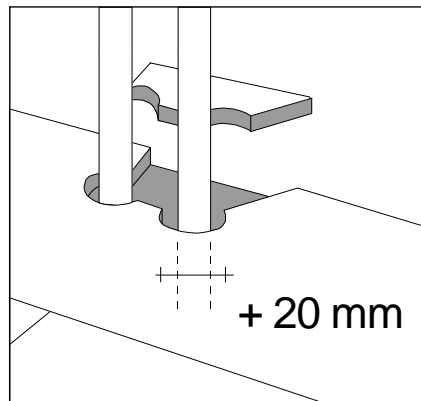
### **Last Row:**

- **Measure and cut the planks in the last row to size.**
- **Allow for 10 mm distance to the wall.**
- **No plank should be less than 5 cm width**





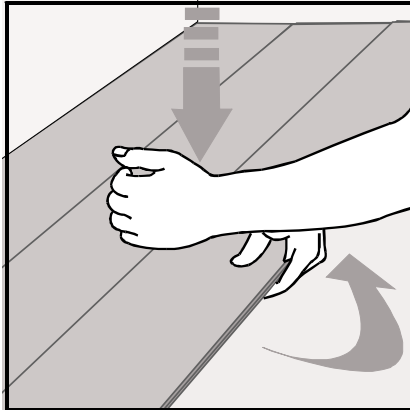
- The last and first plank, can be cut in the correct with. Place the last plank on top the second to last plank (see picture).
- Mark the plank to be with help of a piece of plank without locking strip .
- Allow for 10mm distance to the wall for the expansion gap



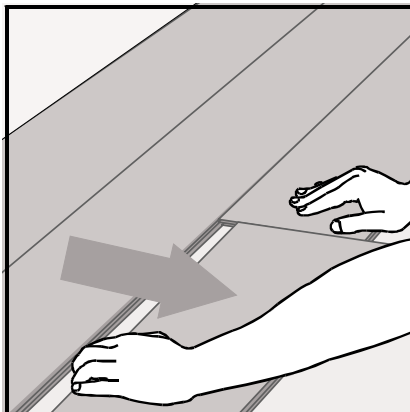
### Heating Pipes

- Drill required holes in the planks
- The holes should be 20mm greater than the pipe diameter
- Saw as shown in the picture
- Glue the sawed piece back into place
- Cover the hole with a pipe sleeve



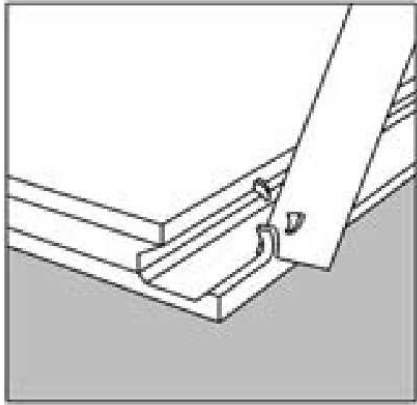


- **If you wish to remove the flooring, just lift the planks a few centimetres and tap along the joint.**

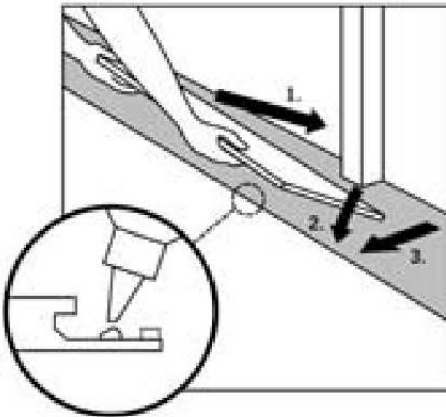


- **The released plank can then be pulled out.**
- **Never bend connected plank backwards, while this will damage the planks.**





- The planks can be laid from all directions if necessary. CorkLoc is easy to uninstall.
- This makes easier to plan the installation e.g. around doors.
- If you cannot angle the tile under e.g. a doorframe or low fitted radiator, you can do like the picture : cut away the locking edge..



- Glue. Install the tile.

